

TG-MACHINES

PROCESS ENGINEERING

Frozen Meat Crusher

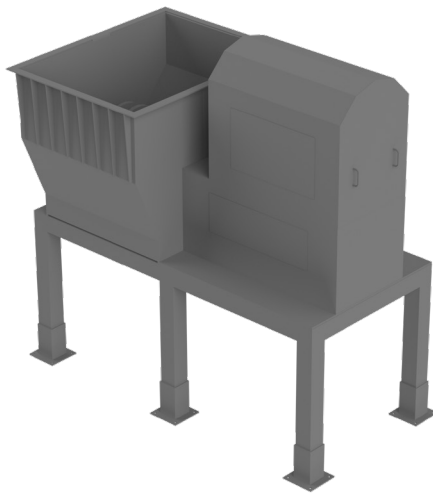
Frozen blocks of poultry by-products and meat can be crushed effectively by this machine. Capacity can reach up to 15 tons/hour. This machine is designed for heavy duty application especially for rendering and pet food industry. TG-Machines frozen meat crusher is made from stainless steel AISI304. Whole pallets of frozen meat can be crushed. Each order is prepared individually according to the customer requirements.

Simple installation

Crushing of frozen material

Easy access for cleaning

Single shaft frozen block crusher



- ⇒ Infeed and discharge systems
- ⇒ Frame and other equipment
- ⇒ Heavy duty construction
- ⇒ Robust gearbox and motor
- ⇒ Tailor made hopper and legs
- ⇒ Specially designed knives
- ⇒ Solid seals and bearings
- ⇒ Design of machine ensure prevent contamination

TECHNICAL DATA:

Model	Capacity [ton/hr]	Particle after crusher [mm]	Power [kW]	Weight [kg]	Dimensions [mm]		
					L	W	H
FMC-15	15	50-80	110	12000	4700	2000	2000/3500

Application:

- ⇒ Frozen blocks of meat and poultry by-products
- ⇒ Food processing industry
- ⇒ Pet food and rendering industry

TG-MACHINES
PROCESS ENGINEERING

Phone: +48 792 665 291 / e-mail: info@tg-machines.com / [www: tg-machines.com](http://www.tg-machines.com)
Poland - Ostrowiec Świętokrzyski